



Brand : TCK, China  
 Name : Infra-red cold-water sensor tap  
 Item Code : 201LT65 DC

Designer :

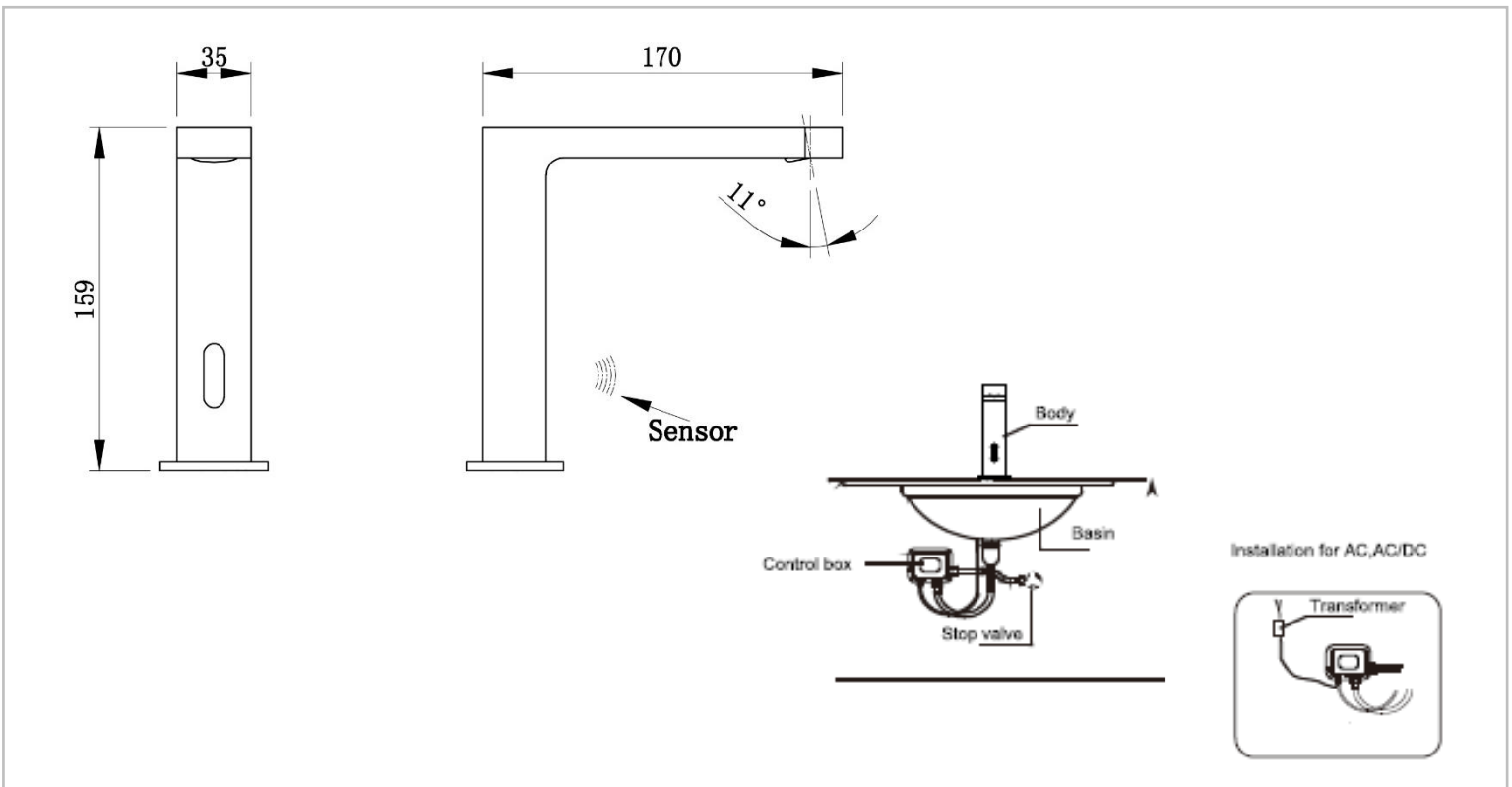
Color / Finish: Chrome  
 Dimensions : 159 mm Height  
 164 mm Spout Projection

**Product info:**

- Infra-red sensor basin cold water tap
- Solid brass body
- Power Supply: DC 6V
- Flow rate: 7 l/min. at 3 bar
- Flow pressure: 1~5 bar (15~70 psi)

**Add-ons:**

- 1x angle valve ½"x½" with filter
- 1x basin waste strainer or pop-up
- 1x basin waste trap



Flushing of pipe must be done before fittings are installed. Failure to do so voids the warranty.

Follow cleaning instructions and avoid using any harmful chemicals.

All information is for reference only. Installation shall always be based on the specs provided with actual delivered items.

For more info, visit [www.sanitecph.com](http://www.sanitecph.com)